

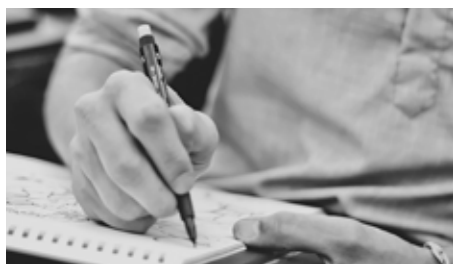
PODS



SPACE WITHIN A SPACE

Within open plan office environments it is more common today for employees to share resources such as printers and scanners. Aside from the general ambient noise of an office it is generally accepted that it is these kind of devices

whirring into life that provide much of the acoustic and visual distraction of colleagues utilising them.



DESIGN

Our team of talented in house designers are responsible for creating elegant, innovative furniture designs which not only look beautiful, but minimise the impact on the world around us.

They come from all over the world, but are based in our Design Centre located in a quiet Lancashire village just outside the Ribble Valley. Our dedicated facility is over three floors which include studios, a materials test centre and prototyping lab.

PODS



Standard Features (*Selected models only)

- Internal Steel frame with multi layered foam construction
- Outer vertical panels upholstered in Camira Blazer fabric (two-tone is standard)
- Quick release panel connector system
- Levelling adjusters
- Integral work surface
- Integral work surface power and data module, incorporating; 1 x 3.15 Amp power socket, powered USB and Cat 6 Data with 1.5m supply leads
- Work surface mounted power and data module, incorporating; 2 x 3.15 Amp power

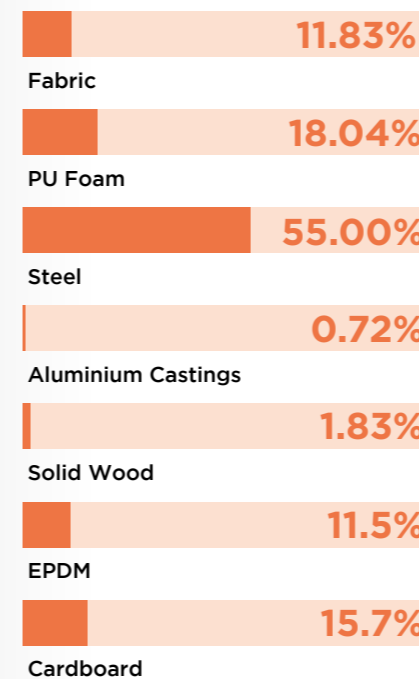
- socket and 2 x Cat 6 Data with 1.5m supply leads
- Integral under work surface vertical cable management
- Low voltage LED task light
- Integral seat and backrest

Optional Features

- Two-tone upholstery on integrated seat units

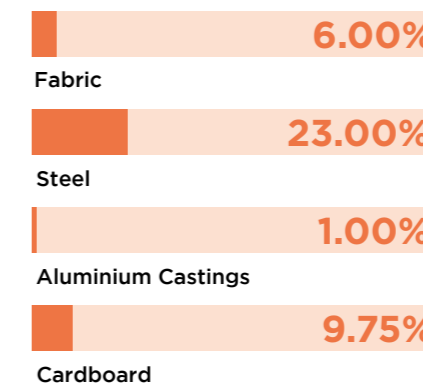
Material Content

Components are constructed of the following



Recycled Content

Contains up to 39.75% of Recycled Material



Recyclability

The range is 99% recyclable

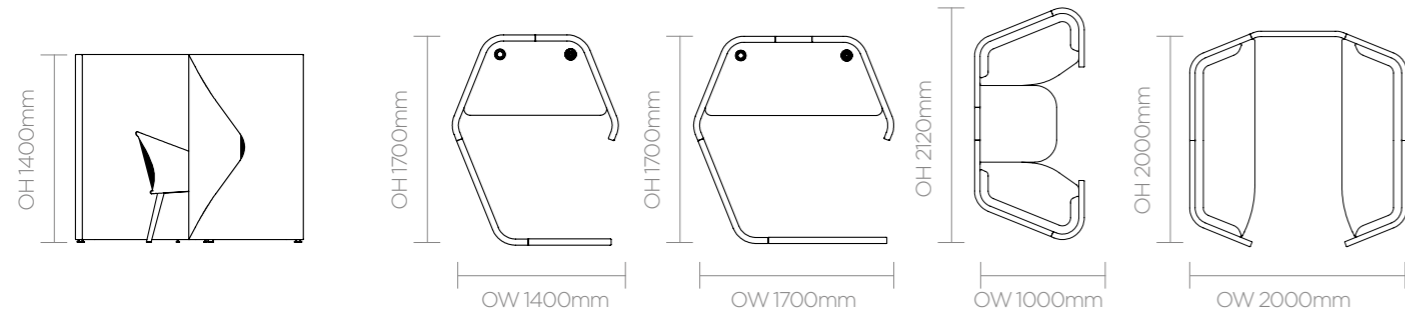
99%

SOFT SEATING

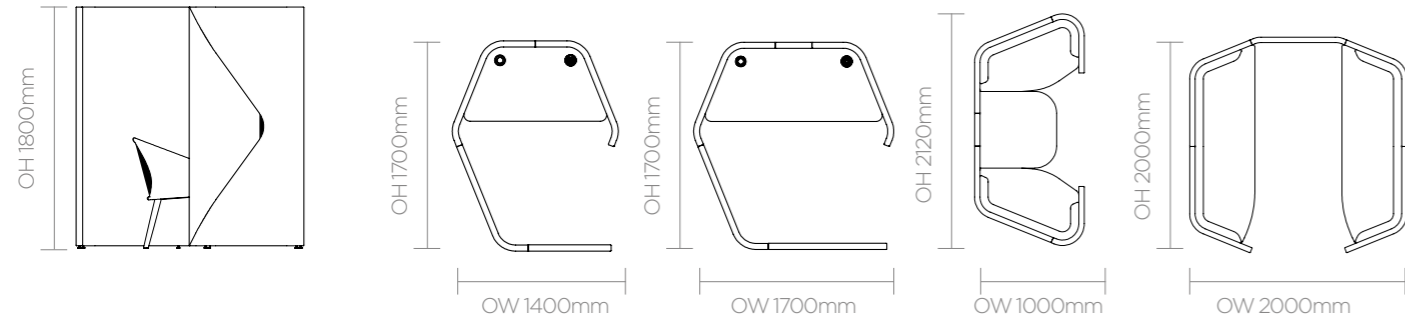
PODS

OH-Overall Height OD-Overall Depth OW-Overall Width AH-Arm Height BH-Back Height SH-Seat Height SW-Seat Width SD-Seat Depth

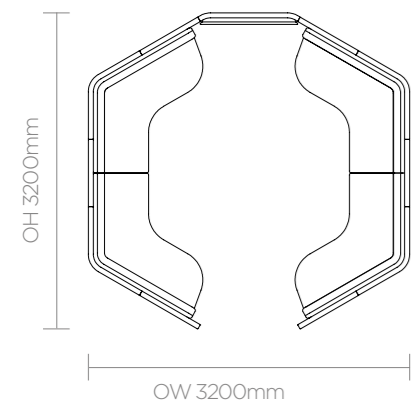
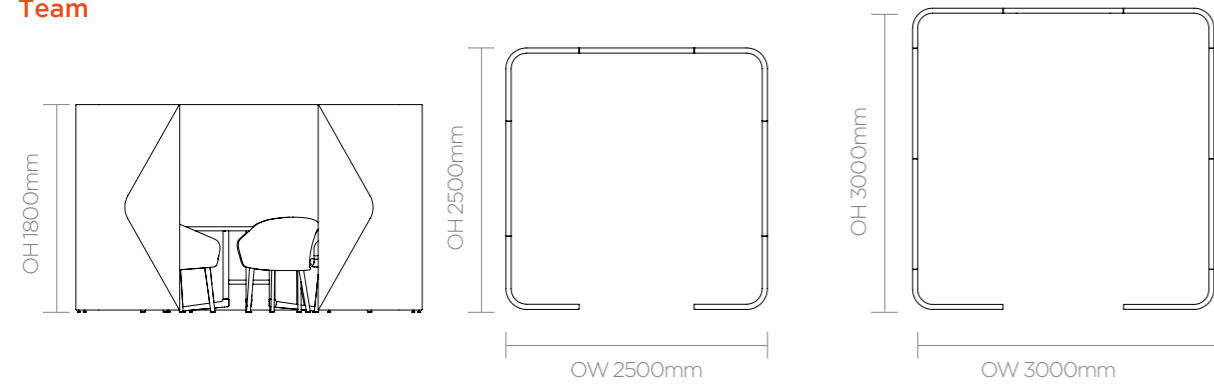
Mid Height



Full Height



Team

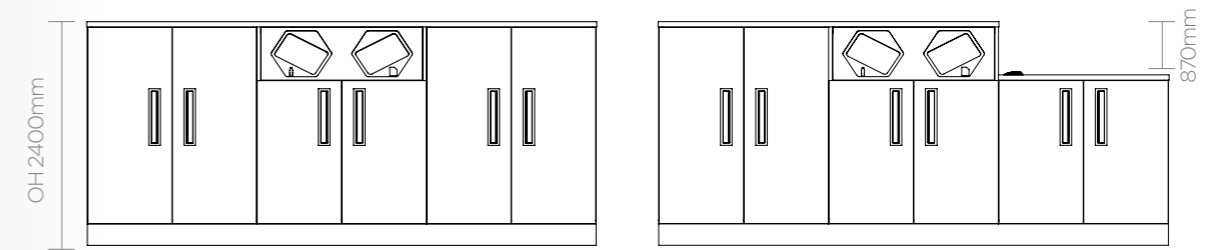
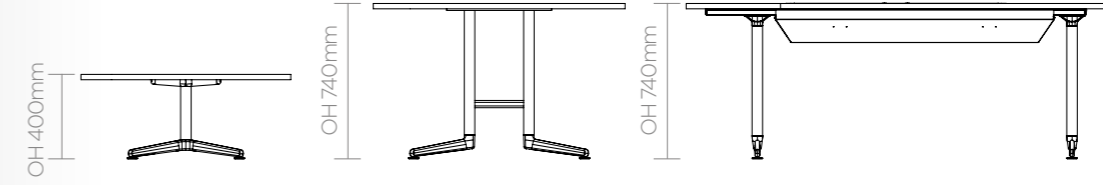


SOFT SEATING

PODS

OH-Overall Height OD-Overall Depth OW-Overall Width AH-Arm Height BH-Back Height SH-Seat Height SW-Seat Width SD-Seat Depth

Accessories & Extras



Tel: 0203 551 6957

www.solutions-4.co.uk

PODS

Finish Options

Outer vertical panels upholstered in Camira Blazer Fabric (Two tone is standard)

Integral worksurfaces available 25mm MFC

MFC Finishes



Carini Walnut



Mocha



Autumn



Strata Oak



Maple



Highland Oak



Beech



Winter Oak



Hacienda White



White



Light Grey



Denim



Lemon Sorbet



Clay

Metal Finishes



Black Powder Coat

PODS

Finish Options

Outer vertical panels upholstered in Camira Blazer Fabric (Two tone is standard)

Integral worksurfaces available 25mm MFC

Blazer Fabric Finishes



Plymouth



Rockport



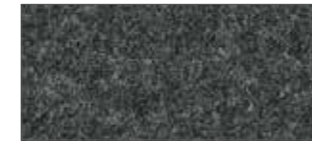
Fairfield



Latymer



Lancaster



Silcoates



Silverdale



St Andrews



Trevelyan



Ulster



Wellington



Wesley



Napier



Newcastle



Newport



Aberdeen

SOFT SEATING

PODS - MID HEIGHT

	SOPDS14L Solo (Left or Right)	SOPDSP14L Solo plus (Left or Right)	SOPDD14 Duo mid	SOPDQ14 Quad
Internal Steel frame with multi layered foam construction	●	●	●	●
Outer vertical panels upholstered in Camira Blazer fabric (two-tone is standard)	●	●	●	●
Quick release panel connector system	●	●	●	●
Levelling adjusters	●	●	●	●
Integral work surface	●	●	●	□
Integral work surface power and data module, incorporating; 1 x 3.15 Amp power socket, powered USB and Cat 6 Data with 1.5m supply leads	●	●	□	□
Work surface mounted power and data module, incorporating; 2 x 3.15 Amp power socket and 2 x Cat 6 Data with 1.5m supply leads	□	□	●	□
Integral under work surface vertical cable management	●	●	●	□
Low voltage LED task light	□	□	□	□
Integral seat and backrest	□	□	●	●
* Two-tone upholstery on integrated seat units (use the price for the highest grade of the fabric selected)	-	-	+ £49	+ £49

* Please see pages XX-XX for finish reference

* The integrated seating unit in the Duo and Quad Pods are not suitable for vinyl or leather upholstery

Accessories

HAPCH Coat hanger	90
HAPNP Name plate	80
HAPWBA2 A2 Magnetic dry wipe board with hanger	157
HAPWBA3 A3 Magnetic dry wipe board with hanger	143



SOFT SEATING

Code	Specification	Plan view	Cost £								
SOPDS14L Solo (Left Hand)	Compact single person workspace, comprising five upholstered panels and vertical cable management. In desk power module for below surface		4810								
SOPDS14R Solo (Right Hand)			MFC								
SOPDST* Solo table 1150 x 600mm	Solo work surface incorporating in desk power module and pen pot		125								
			* See Note 4								
SOPDSP14L Solo plus (Left Hand)	Single person workspace comprising five upholstered panels and vertical cable management. In desk power module for below surface		5304								
SOPDSP14R Solo plus (Right Hand)			MFC								
SOPDSP Solo plus table 1450 x 600mm	Solo Plus work surface incorporating in desk power module and pen pot		143								
			* See Note 4								
SOPDD14 Duo	Compact two person meeting space, comprising five upholstered panels and vertical cable management. In desk power module for below surface (see below for seating elements)		5179								
Fabric Band	1	1+	2	3	4	5	6	7	8	C.O.M.	
SOPDDU* Duo bench seat and back elements	1517	1562	1613	1681	1767	1852	1954	2074	2210	3.8	
										MFC	
SOPDDT* Duo table 700 x 700mm	Duo meeting table incorporating table top and Black powder coat support leg		101								
											* See Note 4
SOPDQ14 Quad	Four person meeting space, comprising five upholstered panels (see below for seating elements)		5945								
Fabric Band	1	1+	2	3	4	5	6	7	8	C.O.M.	
SOPDQU* Quad bench seat and back elements	2054	2126	2194	2277	2465	2586	2765	2928	3120	6.1	
										MFC	
SOPDQT Ad-Lib quad table	Quad meeting table and Black powder coat support leg		403								
											* See Note 4

*SOPDST Solo table must be ordered with Solo models
 *SOPDSP Solo plus table must be ordered with Solo Plus models
 *SOPDDU Duo upholstered seat must be ordered with Duo models

*SOPDDST Duo table must be ordered with Duo models
 *SOPDQU Quad upholstered seat must be ordered with Quad models

When ordering please ensure that you send us all this information so we can correctly fulfil your requirements.

To specify your pod...

1. Check the **Standard Features, Finishes** and dimensions and select the version you require.
2. Choose the **Fabric** combination for the panels and the work surface or table top finish.
3. Select the **Fabric Band** for the fabric specified for the seat and backrest (where applicable). Refer to main price list for fabric options.
4. **N.B.** Pods comprise multiple elements; screens, work surface and integrated seating (where applicable) each element is individually coded and priced above and must be added together to achieve the configuration as shown.

SOFT SEATING

PODS - FULL HEIGHT

	SOPDS18L SOPDS18R Solo (Left or Right)	SOPDSR18L SOPDSP18R Solo plus (Left or Right)	SOPDD18 Duo	SOPDQ18 Quad
Internal Steel frame with multi layered foam construction	●	●	●	●
Outer vertical panels upholstered in Camira Blazer fabric (two-tone is standard)	●	●	●	●
Quick release panel connector system	●	●	●	●
Levelling adjusters	●	●	●	●
Integral work surface	●	●	●	□
Integral work surface power and data module, incorporating; 1 x 3.15 Amp power socket, powered USB and Cat 6 Data with 1.5m supply leads	●	●	□	□
Work surface mounted power and data module, incorporating; 2 x 3.15 Amp power socket and 2 x Cat 6 Data with 1.5m supply leads	□	□	●	□
Integral under work surface vertical cable management	●	●	●	□
Low voltage LED task light	●	●	●	□
Integral seat and backrest	□	□	●	●
* Two-tone upholstery on integrated seat units (use the price for the highest grade of the fabric selected)	-	-	+ £49	+ £49

* Please see pages XX-XX for finish reference

* The integrated seating unit in the Duo and Quad Pods are not suitable for vinyl or leather upholstery

Accessories

HAPCH Coat hanger	90
HAPNP Name plate	80
HAPWBA2 A2 Magnetic dry wipe board with hanger	157
HAPWBA3 A3 Magnetic dry wipe board with hanger	143



SOFT SEATING

Code	Specification	Plan view	Cost £								
SOPDS18L Solo (Left Hand)	Compact single person workspace, comprising four upholstered panels, vertical cable management and task light. In desk power module for below surface		5920								
SOPDS18R Solo (Right Hand)			MFC								
SOPDST Solo table 1150 x 600mm	Solo work surface incorporating in desk power module and pen pot		125								
			* See Note 4								
SOPDSP18L Solo plus (Left Hand)	Single person workspace comprising five upholstered panels, vertical cable management and task light. In desk power module for below surface		6531								
SOPDSP18R Solo plus (Right Hand)			MFC								
SOPDSPT* Solo plus table 1450 x 600mm	Solo Plus work surface incorporating in desk power module and pen pot		143								
			* See Note 4								
SOPDD18 Duo	Compact two person meeting space, comprising five upholstered panels, vertical cable management and task light. In desk power module for below surface (see below for seating elements)		6384								
Fabric Band	1	1+	2	3	4	5	6	7	8	C.O.M.	
SOPDDU Duo bench seat and back elements	1517	1562	1613	1681	1767	1852	1954	2074	2210	3.8	
										MFC	
SOPDDT* Duo table 700 x 700m	Duo meeting table incorporating table top and Black powder coat support leg		101								
											* See Note 4
SOPDQ18 Quad	Four person meeting space, comprising five upholstered panels (see below for seating elements)		6401								
Fabric Band	1	1+	2	3	4	5	6	7	8	C.O.M.	
SOPDQU* Quad bench seat and back elements	2054	2126	2204	2309	2440	2571	2727	2911	3120	6.1	
										MFC	
SOPDQT Ad-Lib Quad table	Quad meeting table and Black powder coat support leg		403								
											* See Note 4

*SOPDST Solo table must be ordered with Solo models
 *SOPDSPT Solo plus table must be ordered with Solo Plus models
 *SOPDDU Duo upholstered seat must be ordered with Duo models

*HAPDDT Duo table must be ordered with Duo models
 *HAPDQU Quad upholstered seat must be ordered with Quad models

When ordering please ensure that you send us all this information so we can correctly fulfil your requirements.

To specify your pod...

1. Check the **Standard Features, Finishes** and dimensions and select the version you require.
2. Choose the **Fabric** combination for the panels and the work surface or table top finish.
3. Select the **Fabric Band** for the fabric specified for the seat and backrest (where applicable). Refer to main price list for fabric options.
4. **N.B.** Pods comprise multiple elements; screens, work surface and integrated seating (where applicable) each element is individually coded and priced above and must be added together to achieve the configuration as shown.

PODS - TEAM

HAPDTR18 Team Resource HAPDTW18 Team Work HAPDTM18 Team Meeting

Internal Steel frame with multi layered foam construction	●	●	●
Outer vertical panels upholstered in Camira Blazer fabric (two-tone is standard)	●	●	●
Quick release panel connector system	●	●	●
Levelling adjusters	●	●	●
Integral under work surface vertical cable management	☐	●	☐
Integral seat and backrest	☐	☐	●
* Two-tone upholstery (use the price for the highest grade of the fabric selected)	-	-	+ £49

* Please see pages 80-89 for finish reference

* The integrated seating unit in the Duo and Quad Pods are not suitable for vinyl or leather upholstery

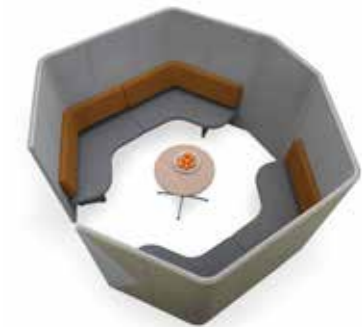
Accessories

HAPCH Coat hanger	90
HAPNP Name plate	80
HAPWBA2 A2 Magnetic dry wipe board with hanger	157
HAPWBA3 A3 Magnetic dry wipe board with hanger	143



Code	Specification	Plan view	Cost £
SOPDTR18 Team Resource	Team workspace, comprising seven upholstered panels		8087
SOPDTW18 Team Work	Team workspace, comprising nine upholstered panels and one upholstered screen mount panel		9808
SOPDTM18 Team Meeting	Team meeting space, comprising eleven upholstered panels and one upholstered screen mount panel (see below for seating elements)		10994
Fabric Band	1 1+ 2 3 4 5 6 7 8 C.O.M.		
SOPDTMU* Team meeting bench seat and backrest elements	4622 4769 4957 5207 5519 5832 6207 6644 7144 12.5		

* See Note 4



*SOPDTMU Team Meeting upholstered seat must be ordered with Team Meeting model

When ordering please ensure that you send us all this information so we can correctly fulfil your requirements.

To specify your pod...


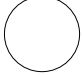
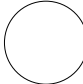
1. Check the **Standard Features**, **Finishes** and dimensions and select the version you require.
2. Choose the **Fabric** combination for the panels and the work surface or table top finish.
3. Select the **Fabric Band** for the fabric specified for the seat and backrest (where applicable). Refer to main price list for fabric options.
4. **N.B.** Pods comprise multiple elements; screens, work surface and integrated seating (where applicable) each element is individually coded and priced above and must be added together to achieve the configuration as shown.

PODS - ACCESSORIES & EXTRAS

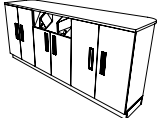
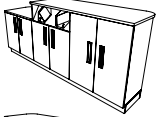
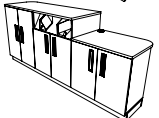
	SO2010TW Ad-Lib media table	SO10RDC Ad-Lib round coffee table	SO12RD Ad-Lib round meeting table
Tables			
25mm MFC top	●	●	●
Black powder coat leg column	●	●	●
Black powder coat leg base	●	●	●
Levelling feet	●	●	●
Integrated cable management with flip access on table top in White powder coat	●	□	□
Integrated 4-way monitor control hub with four colour coded VGA and audio connections	●	□	□
Integrated power sockets for four laptops with 13 Amp connection lead	●	□	□
Integrated connections for 5th PC with USB connections for HID	●	□	□

	SOPD7RSC/1 Team resource recycling storage unit	SOPDTRSC/2L Team resource recycling storage unit split height	SOPDTRSC/2R Team resource recycling storage unit split height
Storage			
25mm MFC top panel	●	●	●
MFC carcass	●	●	●
Integrated shelves	●	●	●
Recycle compartment with integrated bins	●	●	●
Integral locking	●	●	●
Integral work surface power and data module, incorporating; 1 x 3.15 Amp power socket, powered USB and Cat 6 Data with 1.5m supply leads	□	●	●

Tables

	MFC	
SO2010TW Ad-Lib media table (Team Work Pod only) 2000 x 1000mm	3457	
SO10RDC Ad-Lib round coffee table (Team Meeting Pod only) 1000mm Dia.	391	
SO12RD Ad-Lib round meeting table (Team Work Pod only) 1200mm Dia.	886	

Storage

	MFC	
SOPD7RSC/1 Team Resource Recycling storage unit 2400 x 640 x 1070mm high	2346	
SOPDTRSC/2L Team Resource Recycling storage unit split height 2400 x 640 x 1070 / 870mm high	2716	
SOPDTRSC/2R Team Resource Recycling storage unit split height 2400 x 640 x 1070 / 870mm high	2716	

To specify your table...

1. Think through the configuration of Table you require
2. Select the Codes of the individual items you need to achieve your configuration
3. Choose Finishes where appropriate: 'top' finishes / frame colour / fabric colour / acrylic colour